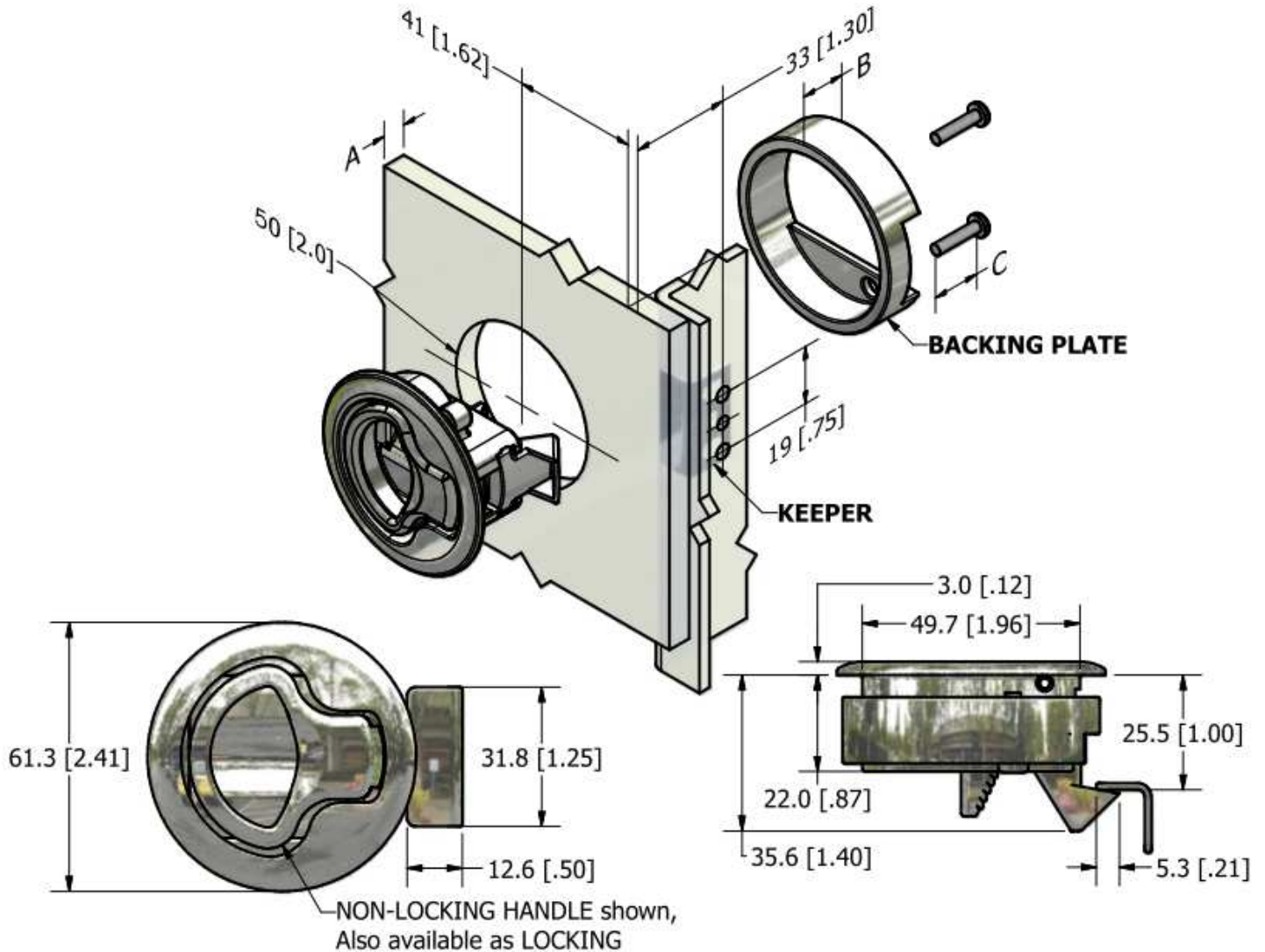




STELLAR PUSH TO CLOSE SLAM LATCHES

- 316 Stainless Steel*
- Superior GEMLUX Finish
- Spring Loaded 2 Finger Pull
- Single, 2" Round Hole Installation



PART NUMBER		PANEL THICKNESS A		BACKING PLATE HEIGHT B	MOUNTING SCREW LENGTH C
Non-locking	Locking	Min	Max		
4151-415-16MM	4150-415-16MM	2 [.075]	7 [.275]	14 [.55]	16 [.63]
4151-415-20MM	4150-415-20MM	7 [.275]	12 [.475]	14 [.55]	20 [.81]
4151-410-16MM	4150-410-16MM	12 [.475]	17 [.675]	3.8 [.15]	16 [.63]
4151-410-20MM	4150-410-20MM	17 [.675]	22 [.875]	3.8 [.15]	20 [.81]

* Some components made of 304 Stainless Steel